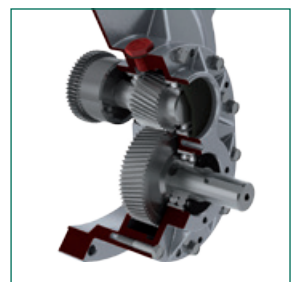
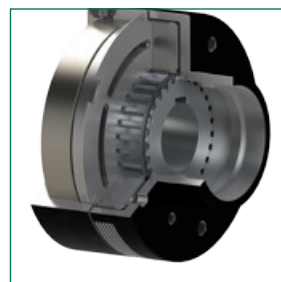
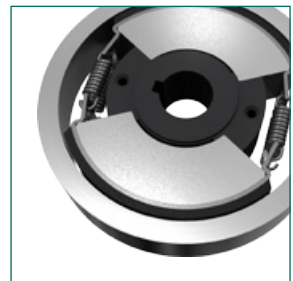
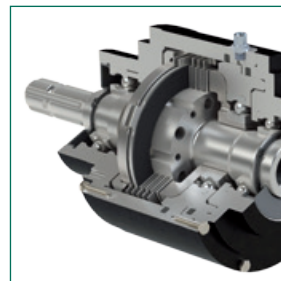
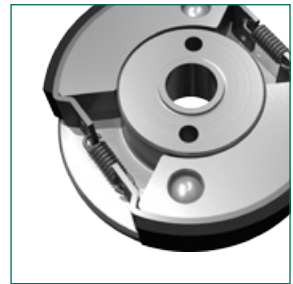




Maschinentechnik



Controlled dynamics

Experts in our field since 1982.

Controlled dynamics

A family-run enterprise, we are one of the internationally leading manufacturers of customised drive solutions in the area of centrifugal clutches, centrifugal brakes, shaft-mounted and flange-mounted gearboxes as well as engageable clutches.

Our success rests primarily on the development and implementation of specific requirements and the high customer focus that comes with it. Whether the customer is requesting an individual quote or has a large-scale project, he receives sound consultation and subsequent support from us. Providing this means we can determine what exactly the individual customer wants and requires and analyse the need for new and ongoing product developments.

A self-financed budget for research and development as well as close cooperation with various university and research institutes allows us to access and use the latest findings, which in turn influence our products and their continuous improvement.

Our products stand for dynamics and safety!

With every single order, we demonstrate absolute reliability and a great willingness to accept responsibility. We underline this commitment by continually investing in state-of-the-art machinery and production plants as well as by giving our employees further training.

For our own training of young specialists combined with the experience and expertise of long-serving employees is the foundation on which we can continue to successfully and consistently seize market opportunities in the future.

Find out more about us and get an idea of the efficiency of our enterprise and the outstanding quality of our products on the following pages.

Tell us what you require – and we will provide the solution swiftly and competently.

A handwritten signature in black ink, appearing to read 'SWR', with a long horizontal flourish extending to the right.

Susanne Weritz, manageress

Our philosophy



From consultation and planning ...

Customer focus

High-quality and reliable
drive solutions

Based on the specifications at hand, we develop the optimal drive solution for the specific application in close cooperation with our customers. In doing so, we respectfully and competently accompany our customers from the quote request up to order completion and they always remain the focus of what we do.

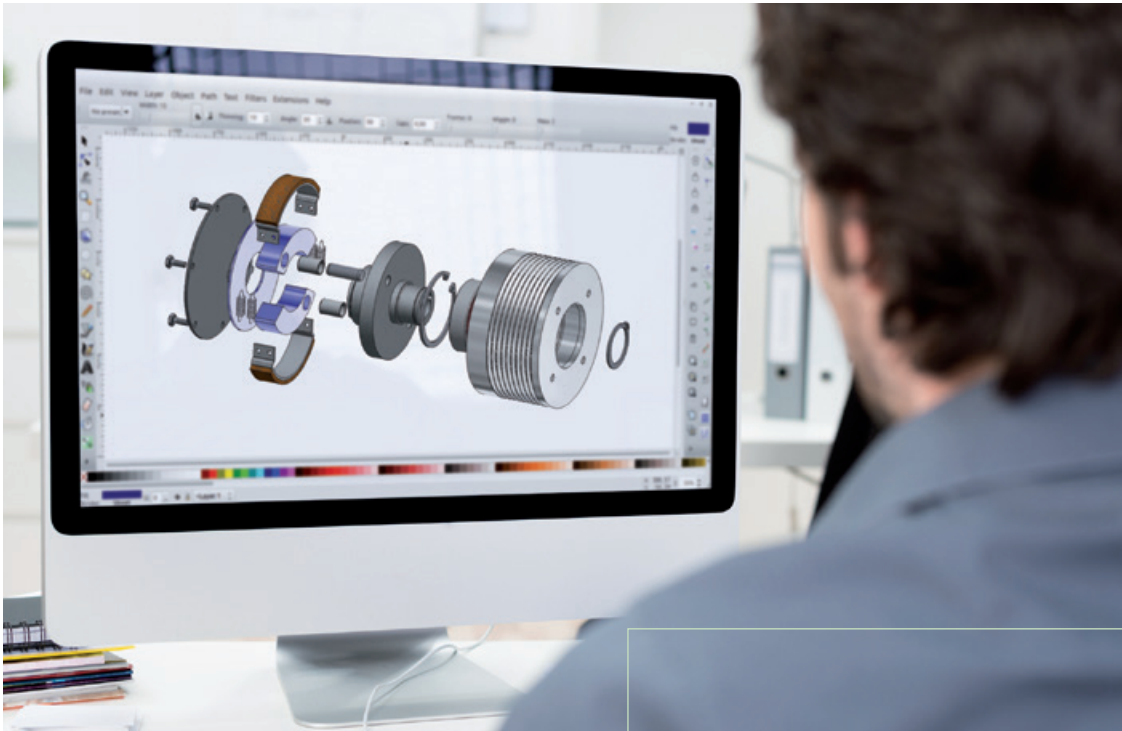
Our enterprise is certified according to DIN ISO 9001 and the complete value chain undergoes regular quality audits. In addition, tight in-process quality controls ensure that our products represent what they are known for: quality and reliability.



... and production ...



... right through to careful quality inspection.

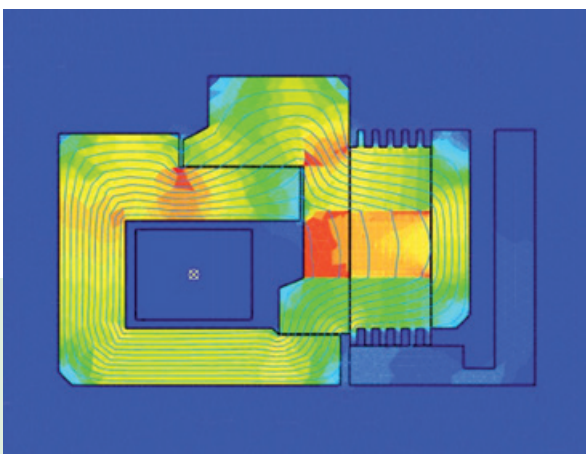


Our experienced and competent engineers use the latest construction and development tools and methods to optimally gear our products to the respective requirements.

Moreover, tests carried out in our own testing facilities supply practical findings for improving our products further. This ensures the dynamics and safety of our products.

Research and development

Dynamic and safe
drive solutions



The continuous development of our products ...

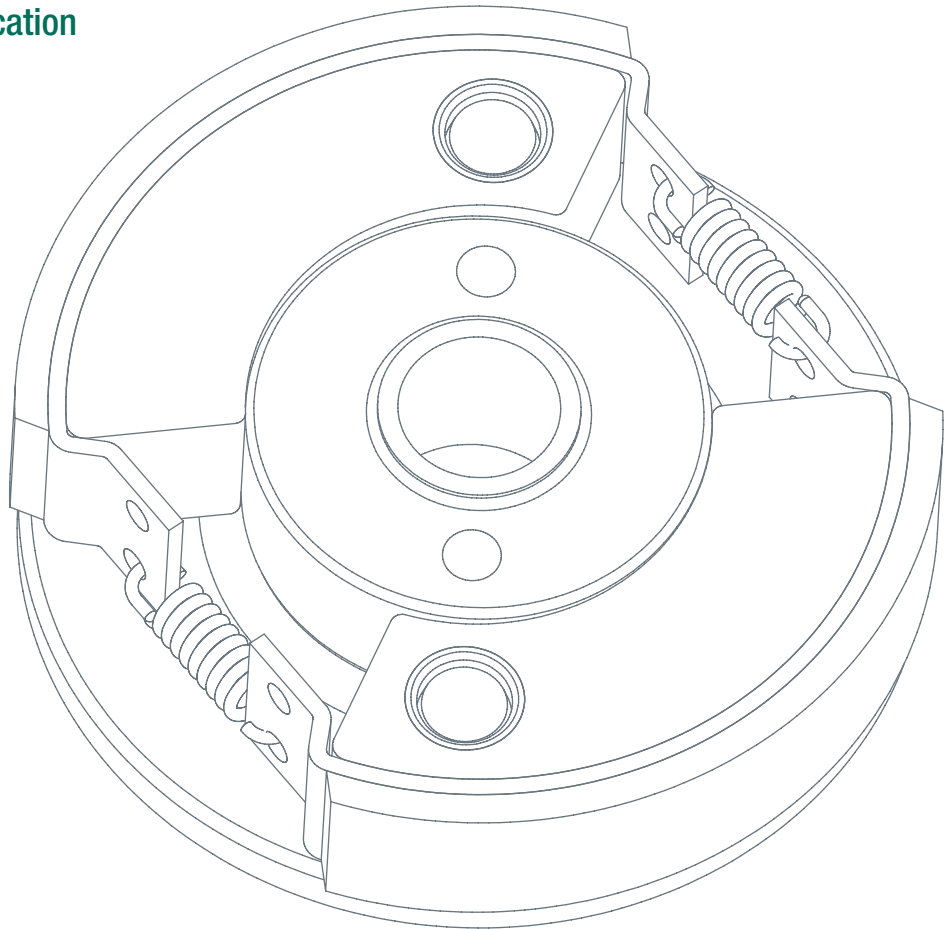


... and their inspection ensure dynamics and safety.

Centrifugal clutches

Our various fields of application

- Construction machinery
- Agricultural machinery
- Cooling technology
- Compressor technology
- Municipal vehicles
- Racing
- GALA construction equipment



Since 1982 we have been manufacturing and customising clutches based on the simple yet effective principle of centrifugal force. Our clutches are available to you in two different basic designs. The profile-guided execution transmits the torque independently of the direction of rotation. The turning jaw execution however is dependent on the direction of rotation, but stands out for its particularly low-vibration

and low-noise operation. The usual effective diameters are each within the range of 60 to 250 mm and the transmissible torques are within the range of 2 to 4500 Nm. Radial outputs by means of belt pulleys as well as axial shaft-shaft connections are possible here. We will be happy to execute special designs as well as combinations with other clutch systems for you on request.

Selected applications



Construction machinery



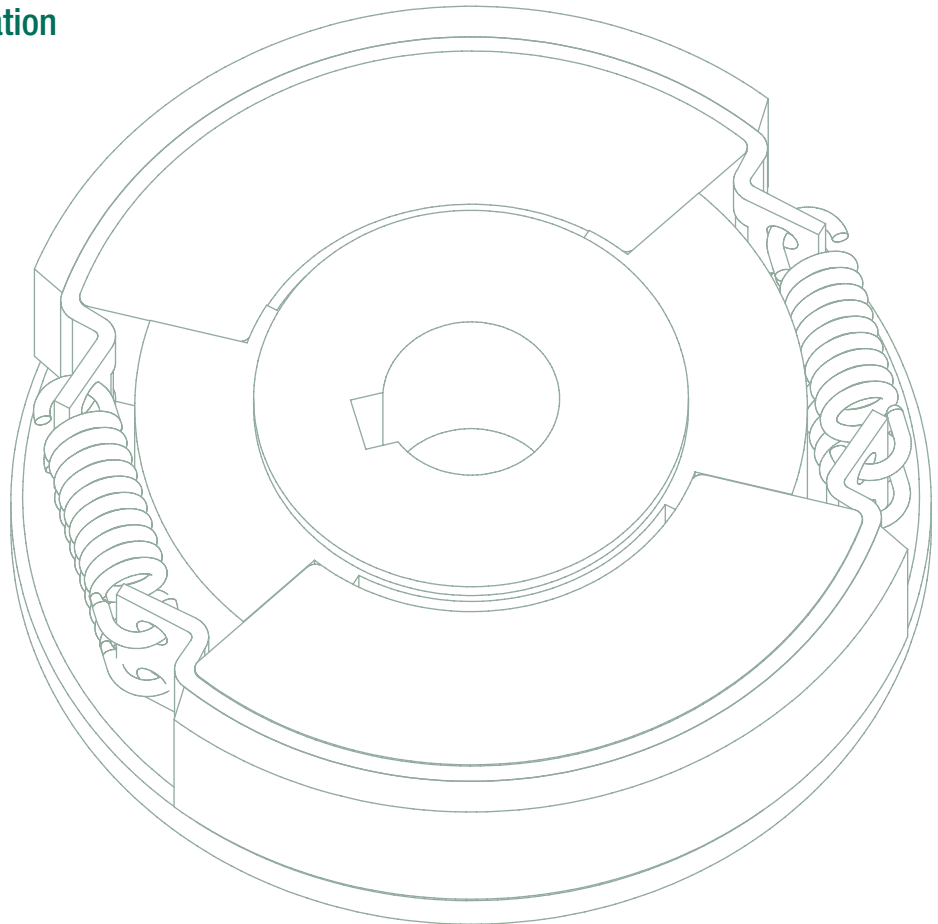
Cooling technology



Municipal vehicles

Our various fields of application

- Fun sporting
- Rescue equipment
- Renewable energy generation
- Safety engineering
- Recreational sport
- Gate systems



The fixing of the housing turns a centrifugal clutch into an efficient braking system, which works without any external activation. For this reason, our centrifugal brakes are usually used as safety-relevant components in various different applications and undergo the appropriate approval tests. Friction generates heat – and so the careful design and consideration of the respective operating conditions are a matter of course

for us. Our centrifugal brakes are thus optimally coordinated to the desired case of application. From individual components through to complete solutions – you will find that we are the right partner in this area. We have already supplied various executions and special designs for a variety of different applications.

Selected applications



Rescue equipment



Fun/Recreational sport

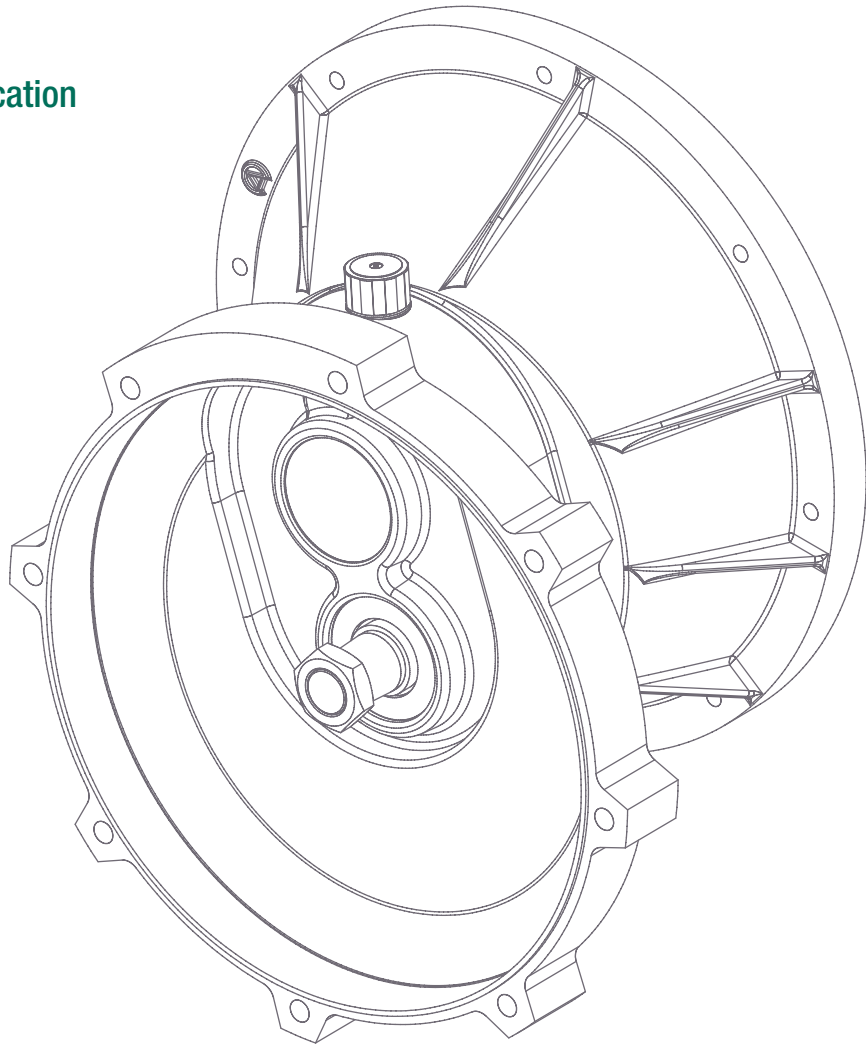


Gate systems

Gearboxes

Our various fields of application

- Generator applications
- Pump applications
- Compressor applications
- Sawing technology
- Drilling applications
- Racing



Our gearbox series are designed as single or double-stage gearboxes especially for the driving of combustion engines. For a maximum power transmission of 40 kW, there are three basic designs with transmission ratios of 1.6:1 to 10:1 available for you to choose from. Executed as flange-mounted, shaft-mounted or belt gear-

boxes, they have proven their worth in the most varied of applications. As an option, centrifugal clutches for a no-load starting of the engine as well as torsionally flexible clutches for the prevention of torsional vibrations can be integrated. Special solutions are also possible on request.

Selected applications



Drilling applications



Pump applications

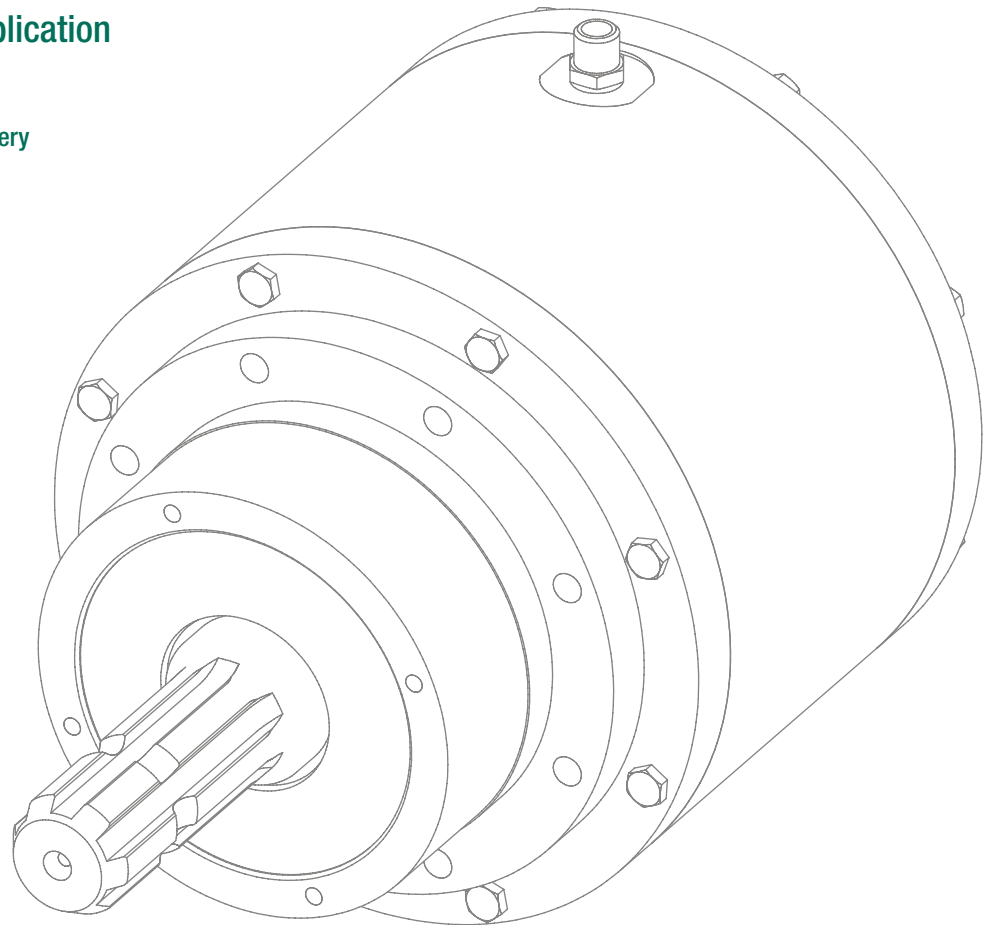


Compressor applications

Hydraulic multiple disc clutches

Our various fields of application

- Mobile applications
- Agricultural and forestry machinery
- Pressure and flushing vehicles
- Crushing machines
- Machine construction
- Manufacturing plants



Extended to include multiple disc clutches, our product portfolio offers you a wide variety of possible uses. Our hydraulic multiple disc clutches are designed as in-between clutches and serve as an engageable or disengageable connection between power units and working units (e.g. between gearbox and pump) or in similar installation

situations. In the clutch, discs designed for dry running ensure a safe transmission of torques within the range of 1 to 1500 Nm at all times during operation. Various executions are available to you for connecting your units.

Selected applications



Agricultural machinery



Sweeping machines

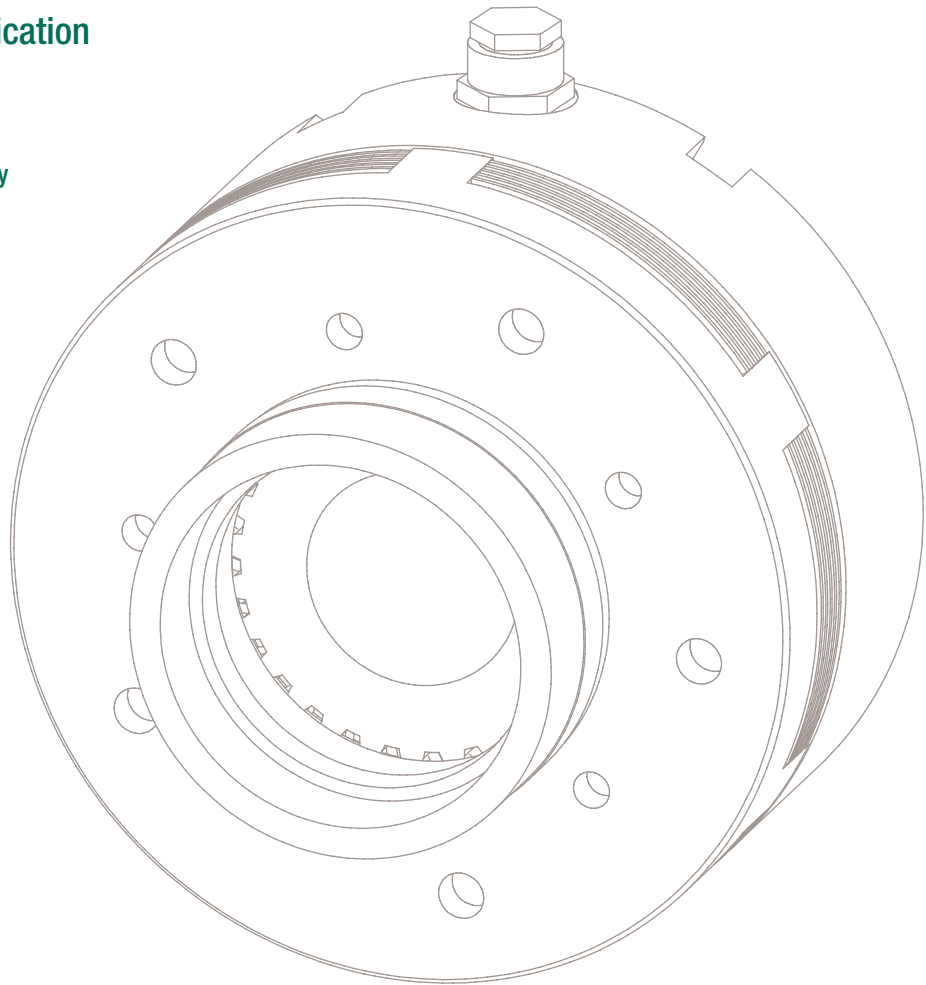


Flushing vehicles

Electromagnetic multiple disc clutch

Our various fields of application

- Mobile applications
- Manufacturing plants
- Agricultural and forestry machinery
- Machine construction
- Pumps and compressors
- Construction machinery



In our electromagnetic multiple disc clutches, friction pairings designed for wet running serve for the safe transmission of torques within the range of 1 to 500 Nm. To activate the clutch, we use the electric power provided within the system in the voltage range of up to 24 V DC. The clutch discs require oil cooling in order to function

safe, which can be ensured by way of an oil sump or a circulating oil lubrication. The clutches open automatically when not engaged and stand out for their small drag moments. Various executions are available to you for integrating into or connecting onto your units.

Selected applications



Manufacturing plants



Mobile applications



Machine construction

Do you need special solutions?

We like a new challenge – please contact us.



Amsbeck Maschinenteknik GmbH
Boschweg 15 | 48351 Everswinkel

Phone +49 (0)2582 66812-0
Fax +49 (0)2582 66812-101

info@amsbeck-mt.de
www.amsbeck-mt.de

We are certified in accordance with:

Testing standard ISO 9001:2008
Certificate reg. no.: 09 100 50 59